

847 SERIES

Pneumatic Toggle Clamps | Product Overview

Features:

- Pneumatic version of Series 247 manual clamps
- Switch ready for Ø4mm or 6,5mmX5mm sensors
- Built-in flow restriction eliminates need for external flow controls

Applications:

- Assembly
- Welding

Also Available:

See page MC-ACC-1 for spindle accessories
See page MC-PSC-40 for sensing options

847-U



847-S



Technical Information | Holding Capacities

Model	Maximum Holding Capacity		Max. Exerting Force @ 5bar [72PSI]		Accessories (Supplied)						
	Inner	Outer	Inner	Outer	Weight	Bore Size	Air Consumption† dm ³ [ft ³]	Port Size	Spindle Accessory	Flanged Washers	Bolt Retainer
847-U	[1000 lbf] 4450 N	[480 lbf] 2135 N	[948 lbf] 4248 N	[450 lbf] 2018 N	[8.93lb] 4,05kg	[1.97] 50	[0.044] 1,25	1/4 NPT	--	247109	--
847-S	[1000 lbf] 4450 N	[650 lbf] 2890 N		[426 lbf] 1912 N				1/4 NPT	--	--	247110

†Per double stroke at 5bar [72PSI]

Max Cylinder Pressure: 10bar [145psig]*

Max Operating Temp: -10°C to 90°C [-14°F to 194°F]

Replacement Seal Kit: 847450-50-1-00

Replacement Clamp Assembly: 847-U-LC, 847-S-LC

Replacement Cylinder Assembly: 847CYL

*In no case should the inlet pressure be high enough to create an exerting force that exceeds the clamp's holding capacity. See Technical Appendix Section for details.

Sensor Accessories

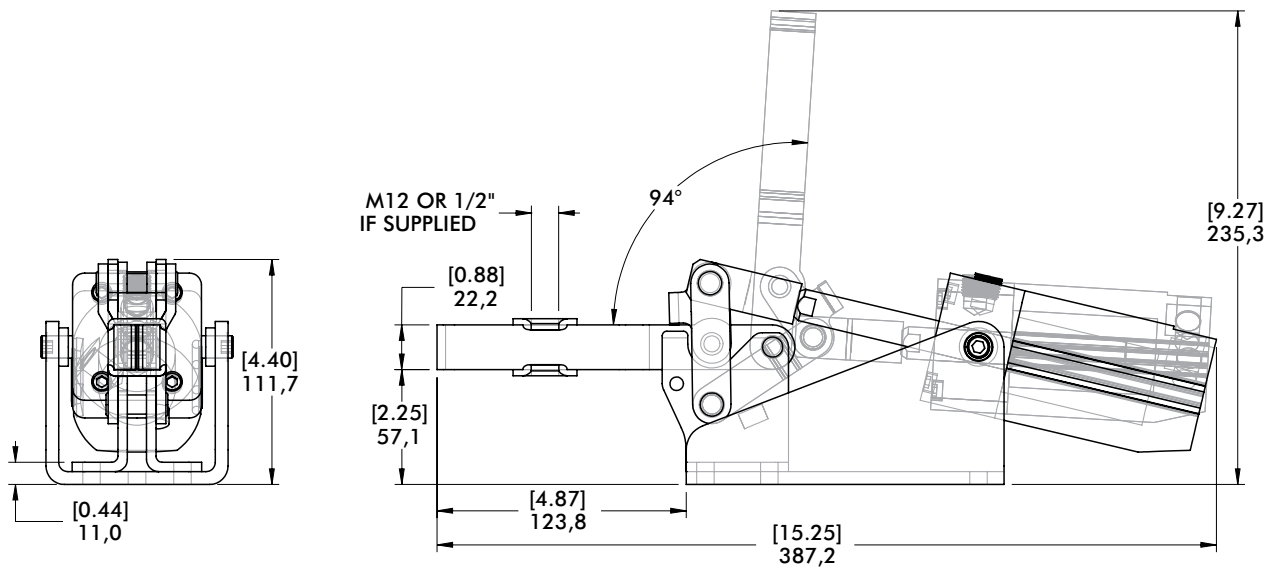
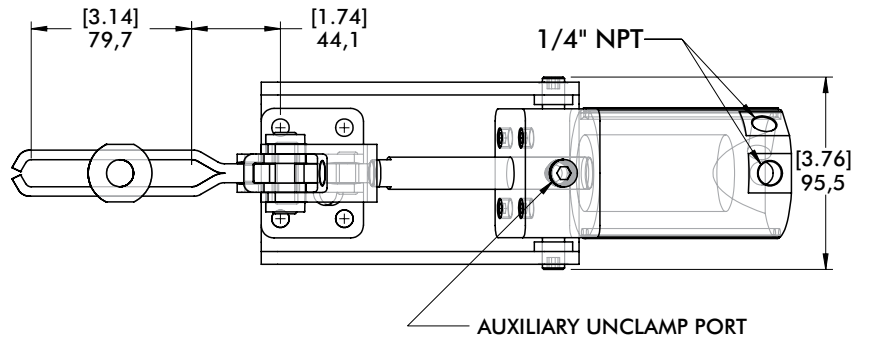
	Item Number
Round Reed Switch with Quick Disconnect	810169
T-slot Reed Switch with Quick Disconnect	8EA-109-1
Quick Disconnect 2M Extension Cable	CABL-010
Quick Disconnect 5M Extension Cable	CABL-013

See Pneumatic Accessories section for more options

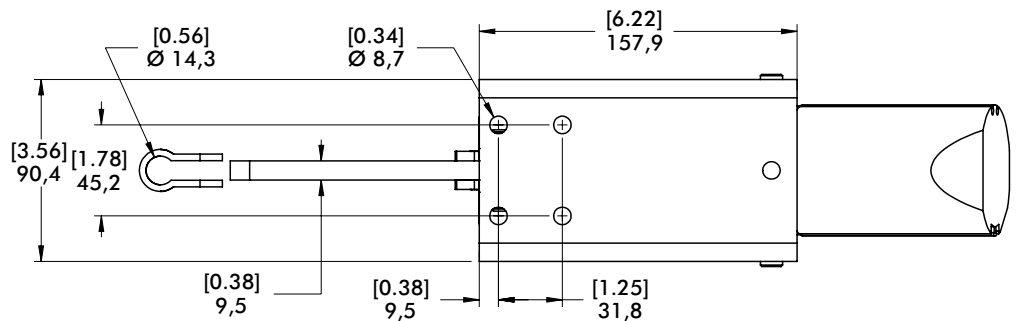
847 SERIES

Pneumatic Toggle Clamps | Dimensions

847-U



847-S



mm [INCH]
THIRD ANGLE PROJECTION

858 SERIES

Pneumatic Toggle Clamps | Product Overview

Features:

- Hardened pins and bushing at all pivot points for long lifecycle
- Large, solid clamping arm is easily modified to suit application requirements
- Sensor ready for round or T-slot style sensors

Applications:

- Assembly
- Welding

Also Available:

See page MC-PSC-40 for sensing options

858

858-E



Technical Information | Holding Capacities

Model	Maximum Holding Capacity		Max. Exerting Force @ 5bar [72PSI]		Weight	Bore Size	Air Consumption† dm ³ [ft ³]	Port Size
	Inner	Outer	Inner	Outer				
858	[4,000 lbf]	[2,000 lbf]	[1,530 lbf]	[800 lbf]	[16.11lb]	[2.48]	[0.109]	1/4 NPT
858-E	17800 N	8900 N	6857 N	3585 N	7.31kg	63	3,08	G-1/4

†Per double stroke at 5bar [72PSI]

Max Cylinder Pressure: 10bar [145psig]*

Max Operating Temp: -10°C to 90°C [-14°F to 194°F]

Replacement Seal Kit: 850450-63-1-00

Replacement Clamp Assembly: 858-LC

Replacement Cylinder Assembly: 858CYL

*In no case should the inlet pressure be high enough to create an exerting force that exceeds the clamp's holding capacity. See Technical Appendix Section for details.

Sensor Accessories

Round Reed Switch with Quick Disconnect

T-slot Reed Switch with Quick Disconnect

Quick Disconnect 2M Extension Cable

Quick Disconnect 5M Extension Cable

Item Number

810169

8EA-109-1

CABL-010

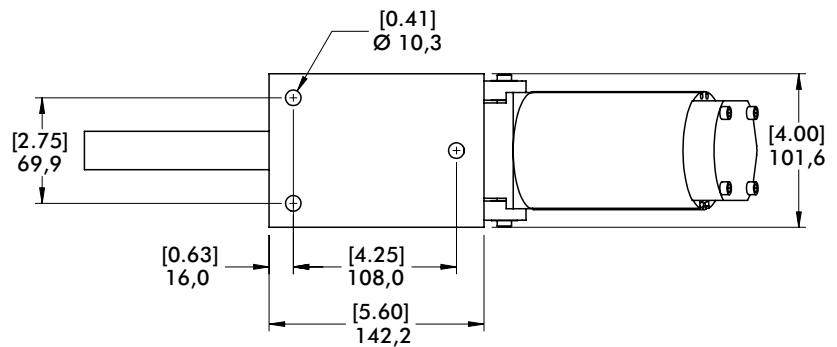
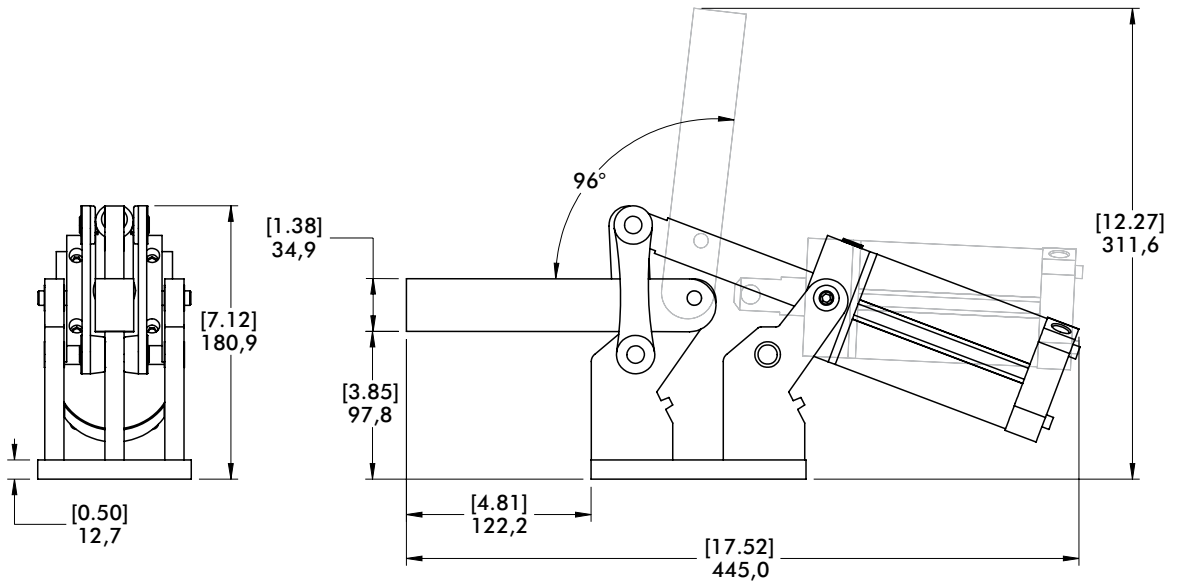
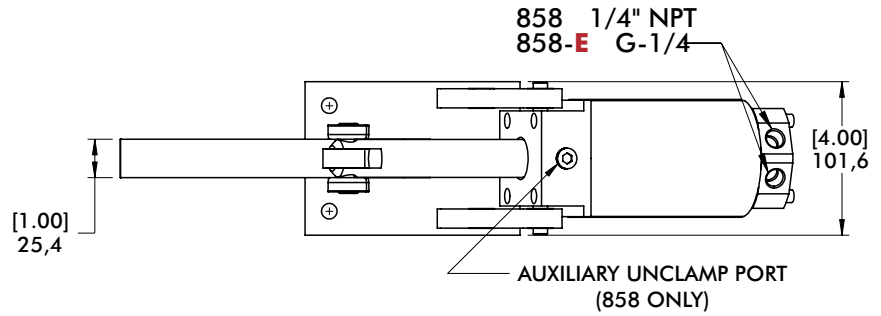
CABL-013

See Pneumatic Accessories section for more options

858 SERIES

Pneumatic Toggle Clamps | Dimensions

858
858-E



mm [INCH]
THIRD ANGLE
PROJECTION

8007 SERIES

Pneumatic Toggle Clamps | Product Overview

Features:

- Hardened pins and bushing at all pivot points for long life cycle
- Solid clamping bar may be modified to suit application requirements
- Sensor ready for round or T-slot style sensors

Applications:

- Assembly
- Welding

Also Available:

See page MC-PSC-40 for sensing options

8007-E



8007-EHL



8007-EHR



Technical Information | Holding Capacities

Model	Maximum Holding Capacity		Max. Exerting Force @ 5bar [72PSI]		Weight	Bore Size	Air Consumption† dm ³ [ft ³]	Port Size
	Inner	Outer	Inner	Outer				
8007-E					1,6kg [3.53lb]			
8007-EHL	[830 lbf] 3700 N	[405 lbf] 1800 N	[606 lbf] 2700 N	[225 lbf] 1000 N		[1.26] 32	[0.016] 0,44	G-1/8
8007-EHR					1,7kg [3.75lb]			

†Per double stroke at 5bar [72PSI]

Max Cylinder Pressure: 10bar [145psig]*

Max Operating Temp: -10°C to 90°C [-14°F to 194°F]

Replacement Clamp Assembly: 8007-LC

*In no case should the inlet pressure be high enough to create an exerting force that exceeds the clamp's holding capacity. See Technical Appendix Section for details.

Sensor Accessories

Round Reed Switch with Quick Disconnect

T-slot Reed Switch with Quick Disconnect

Quick Disconnect 2M Extension Cable

Quick Disconnect 5M Extension Cable

Item Number

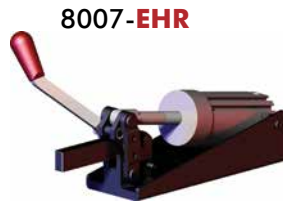
810169

8EA-109-1

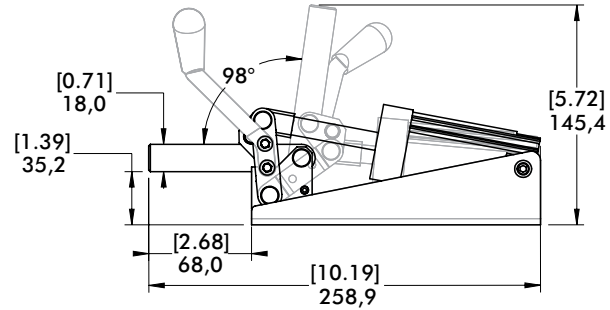
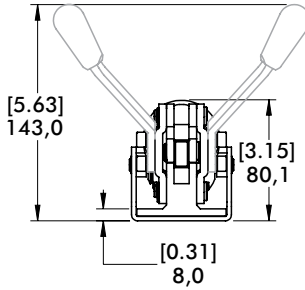
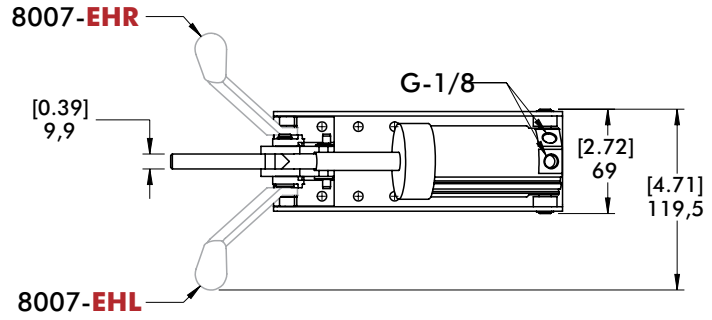
CABL-010

CABL-013

See Pneumatic Accessories section for more options



8007-EHR



8007-E

