

# 5305, 5310 SERIES

## Heavy Duty Horizontal Hold Down Clamps | Product Overview

### Features:

- Solid clamping arm may be modified to suit requirements
- Hardened steel pivot pins and bushings provide long life
- Black oxide finish
- DESTACO® Toggle Lock Plus™ versions available†

### Applications:

- Welding fixtures
- Assembly fixtures
- Light machining



5305/5310  
Flanged Base



5305-B/5310-B  
Solid Base



5305-R/5310-R  
Flanged Base with DESTACO® Toggle Lock Plus™



5305-BRⓘ/5310-BRⓘ  
Solid Base with DESTACO® Toggle Lock Plus™



## Technical Information

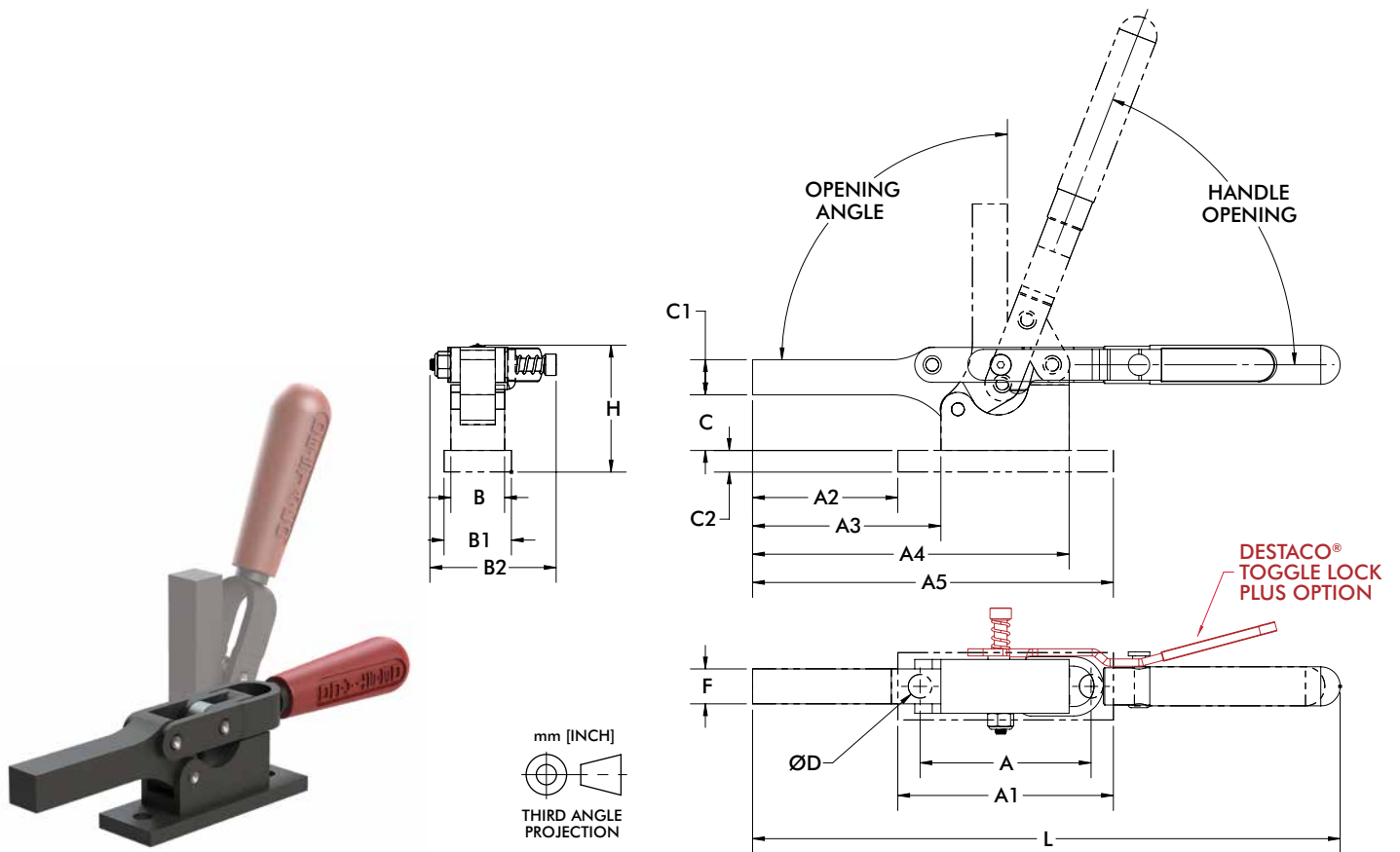
| Model    | Max. Holding Capacity | Clamp Bar Opening (+10°) | Handle Opening (+10°) | Weight           |
|----------|-----------------------|--------------------------|-----------------------|------------------|
| 5305     | [600lbf.]<br>2670N    | 90°                      | 69°                   | [1.08lbs] 0,49kg |
| 5305-B   |                       |                          |                       | [0.82lbs] 0,37kg |
| 5305-R   |                       |                          |                       | [1.09lbs] 0,49kg |
| 5305-BRⓘ |                       |                          |                       | [0.83lbs] 0,37kg |
| 5310     | [1300lbf.]<br>5780N   | 90°                      | 69°                   | [2.84lbs] 1,29kg |
| 5310-B   |                       |                          |                       | [2.24lbs] 1,02kg |
| 5310-R   |                       |                          |                       | [2.87lbs] 1,30kg |
| 5310-BRⓘ |                       |                          |                       | [2.27lbs] 1,03kg |

ⓘ This item is available upon request.

† Toggle Lock Plus™ locks the handle in the closed position only.

# 5305, 5310 SERIES

## Heavy Duty Horizontal Hold Down Clamps | Dimensions



| Model  | A              | A1              | A2             | A3             | A4              | A5              | B              | B1             | B2             | C              | C1             | C2            | D              | F              | H              | L                |
|--------|----------------|-----------------|----------------|----------------|-----------------|-----------------|----------------|----------------|----------------|----------------|----------------|---------------|----------------|----------------|----------------|------------------|
| 5305   | [2.50]<br>63,5 | [3.15]<br>80,0  | [2.12]<br>53,8 | [2.75]<br>69,9 | [4.63]<br>117,6 | [5.27]<br>133,9 | [0.79]<br>20,1 | [0.98]<br>24,9 | --             | [0.81]<br>20,6 | [0.51]<br>13,0 | [0.31]<br>7,9 | [0.35]<br>8,9  | [0.51]<br>13,0 | [1.51]<br>38,4 | [8.36]<br>212,4  |
| 5305-R |                |                 |                |                |                 |                 |                |                | [1.84]<br>46,7 |                |                |               |                |                |                |                  |
| 5310   | [3.63]<br>92,2 | [4.63]<br>117,6 | [2.63]<br>66,8 | [3.63]<br>92,2 | [6.25]<br>158,8 | [7.25]<br>184,2 | [1.13]<br>28,7 | [1.50]<br>38,1 | --             | [1.00]<br>25,4 | [0.75]<br>19,1 | [0.31]<br>7,9 | [0.41]<br>10,4 | [0.79]<br>20,1 | [2.00]<br>50,8 | [11.13]<br>282,6 |
| 5310-R |                |                 |                |                |                 |                 |                |                | [2.31]<br>58,7 |                |                |               |                |                |                | [11.02]<br>279,8 |

| Model     | A3             | A4              | B2             | C              | C1             | F              | H              | L                |
|-----------|----------------|-----------------|----------------|----------------|----------------|----------------|----------------|------------------|
| 5305-B    | [2.75]<br>69,9 | [4.63]<br>117,6 | --             | [0.81]<br>20,6 | [0.51]<br>13,0 | [0.51]<br>13,0 | [1.51]<br>38,4 | [8.36]<br>212,4  |
| 5305-BR ⓘ |                |                 | [1.84]<br>46,7 |                |                |                |                |                  |
| 5310-B    | [3.63]<br>92,2 | [6.25]<br>158,8 | --             | [1.00]<br>25,4 | [0.75]<br>19,1 | [0.79]<br>20,1 | [2.35]<br>59,6 | [11.13]<br>282,6 |
| 5310-BR ⓘ |                |                 | [2.31]<br>58,7 |                |                |                |                | [11.02]<br>279,8 |

ⓘ This item is available upon request