

### Features:

- Compact straight line action clamp

### Applications:

- Assembly
- Testing
- Soldering
- Gluing

### Also Available:

See page MC-ACC-1 for accessories

601



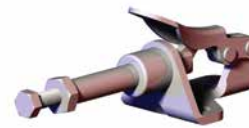
601-M



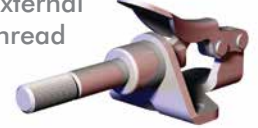
601-O  
Straight Base  
U-Bar



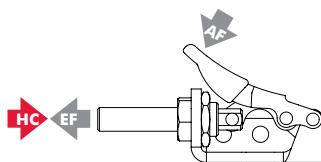
601-SS  
Stainless steel



601-OSS ⓘ  
Stainless steel  
External  
thread

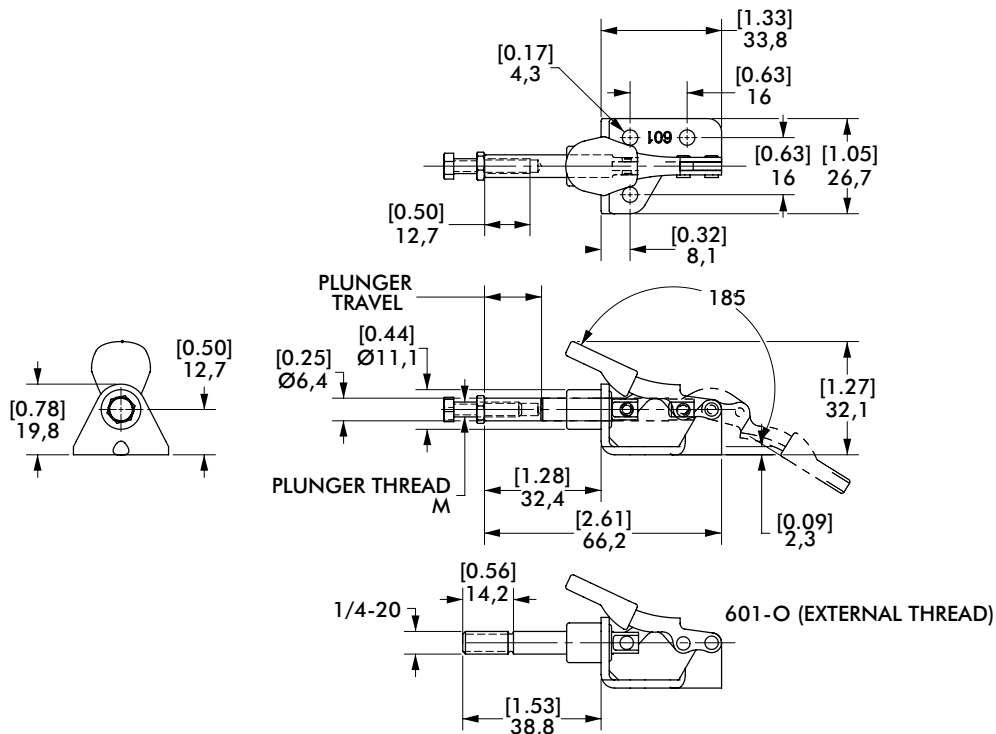


## Technical Information | Holding Capacities | Dimensions



Model	Max. Holding Capacity	Weight	EF:AF (pushing/pulling)	Plunger Travel (M)	Plunger Thread (M)	Spindle (Recommended)	Spindle Included
601					#8-32	105203	Yes
601-M					M4	205208-M	No
601-O	[100 lbf] 440 N	[0.09lb] 0,04kg	14:1/25:1	[0.63] 16	1/4-20	--	No
601-SS					#8-32	205943	Yes
601-OSS ⓘ					1/4-20	--	No

ⓘ This item is available upon request HC = Holding Capacity, EF = Exerting Force, AF = Applied Force



# 6001 SERIES

## Straight Line Action Clamps | Product Overview

### Features:

- Heavier duty version of Model 601 with 50% more holding capacity
- Mounting pattern interchangeable with Model 601
- Allow handle to fall below mounting plane to lock in retracted position

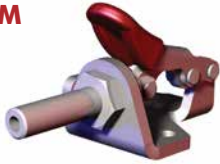
### Applications:

- Assembly
- Testing
- Soldering
- Gluing

### Also Available:

See page MC-ACC-1 for accessories

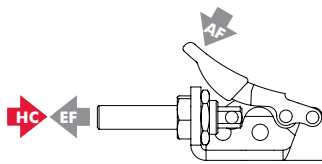
6001  
6001-M



6001-SS  
6001-MSS

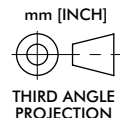
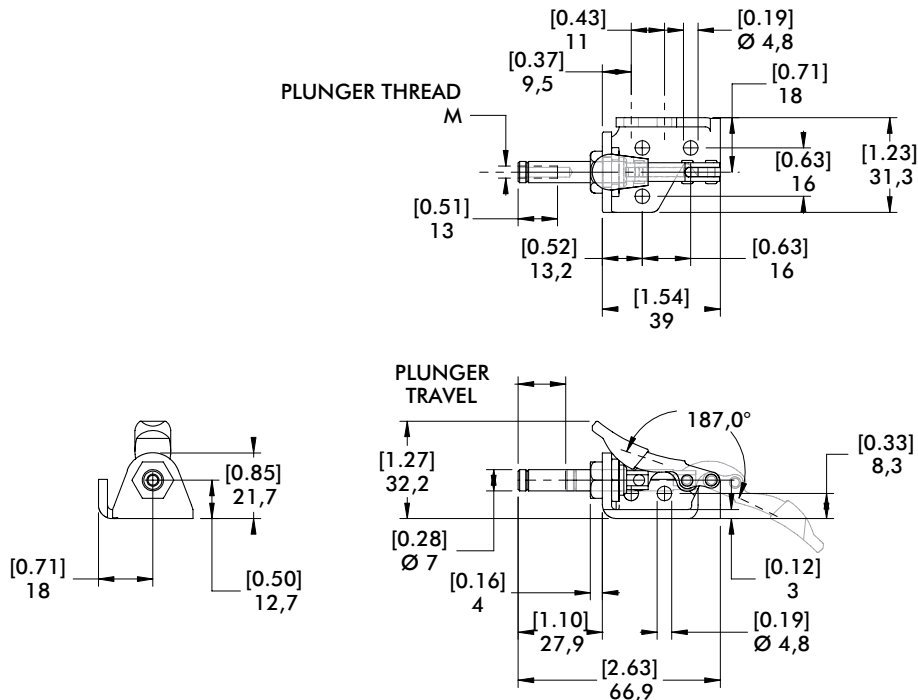


## Technical Information | Holding Capacities | Dimensions



Model	Max. Holding Capacity	Weight	EF:AF (pushing/pulling)	Plunger Travel	(M) Plunger Thread	Spindle (Recommended)	Spindle Included
6001	[150 lbf] 670 N	[0.12lb] 0,05kg	14:1/25:1	[0.63] 16	#8-32	105203	No
6001-M					M4	205208-M	
6001-SS					#8-32	205943	Yes
6001-MSS	M4	205943-M					

HC = Holding Capacity, EF = Exerting Force, AF = Applied Force



# 6015 SERIES

## Straight Line Action Clamps | Product Overview

### Features:

- Smallest of the solid base Straight Line Action clamps
- Compact design combined with high holding capacity
- Allow handle to fall below mounting plane to lock in retracted position

### Applications:

- Assembly
- Checking fixtures
- Tensioning devices

### Also Available:

See page MC-ACC-1 for accessories

Covered under one or more U.S./International Patents

6015  
6015-M



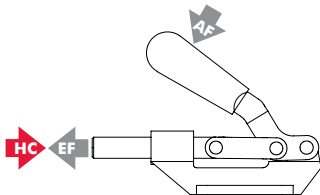
6015-SS,  
6015-MSS  
Stainless  
Steel



6015-R,  
6015-MR  
with DESTACO®  
Toggle Lock  
Plus



## Technical Information | Holding Capacities



Model	Max. Holding Capacity	Weight	EF:AF (pushing/pulling)	Plunger Travel	(M) Plunger Thread	Recommended Spindle (Not Supplied)
6015	[560 lbf] 2500 N	[0.35lb] 0,15kg	35:1	[0.70] 17,8	1/4-20	205203
6015-M					M6	205203-M
6015-SS	[630 lbf] 2800 N				1/4-20	202943 (supplied)
6015-MSS					M6	202916-M (supplied)
6015-R	[560 lbf] 2500 N				1/4-20	205203
6015-MR					M6	205203-M

HC = Holding Capacity, EF = Exerting Force, AF = Applied Force

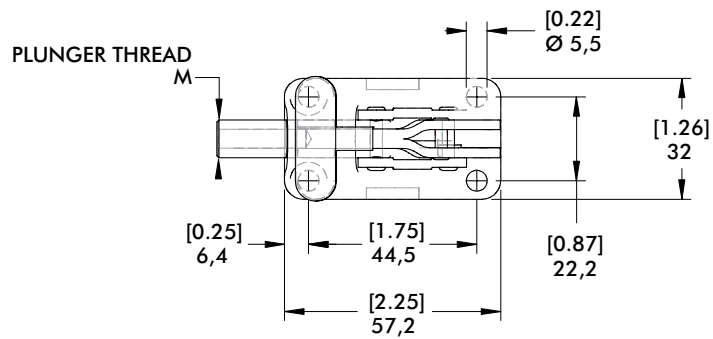
6015  
6015-M



6015-SS,  
6015-MSS  
Stainless  
Steel



6015-R,  
6015-MR  
with DESTACO®  
Toggle Lock Plus



DESTACO®  
TOGGLE LOCK  
PLUS OPTION  
6015-R / 6015-MR  
(Engages in extended  
position only)

